

Agricultural Ammonia Gauges

Series "AA"

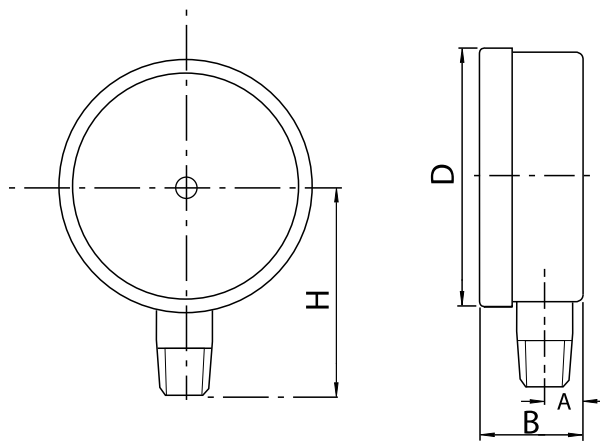


- Dial Size: 2-1/2", 3-1/2"
- Superb Quality, Economical Price
- ISO 9002 - Certified Facility

Agricultural Ammonia Gauges

are designed to perform in rugged agricultural applications. The glass window eliminates the fogging that occurs when plastic windows are exposed to ammonia.

SERIES "AA" DIMENSIONS



GAUGE DIMENSIONS

Gauge Size/Type		A	B	D	H	
Lower Connection	2.5"	Inch	0.35	1.10	2.52	2.12
		mm	9	27	62	52
	3.5"	Inch	0.43	1.18	3.54	2.71
		mm	11	29	87	66

Cheng and Associates, INC.

20522 Carrey Road · Walnut · CA · 91789 · Phone: 909-839-0506 · Fax: 909-839-0516