

Air Test Gauges Series "AG" & "AGB"

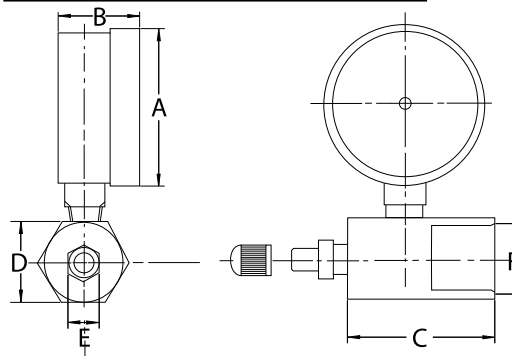


- Dial Size: 2"
- Superb Quality, Economical Price
- ISO 9002 - Certified Facility

Air Test Gauges

are assembled with sealant and come complete assembled with manifold, valve, and cap. Bell Reducer come equipped with series "AGB". All parts are precision made guaranteeing accurate results.

SERIES "AG" DIMENSIONS

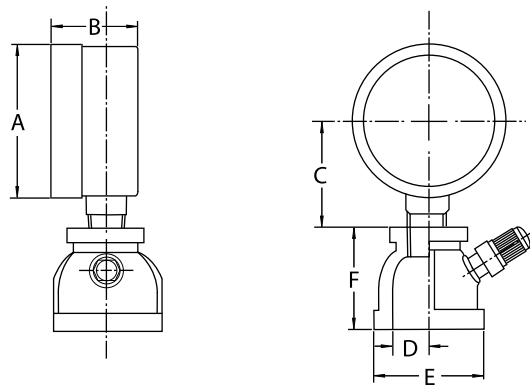


GAUGE DIMENSIONS

Gauge Size/Type		A	B	C	D	E	F
Lower Connection	2"	Inch	2.07	1.10	1.96	1.10	0.43
		mm	53	28	50	28	11
							3/4



SERIES "AGB" DIMENSIONS



GAUGE DIMENSIONS

Gauge/Connection Size/Type		A	B	C	D	E	F
Lower Connection	2" / 1/2"	Inch	2.07	1.10	1.49	0.50	1.38
		mm	53	28	38	12	34
	2" / 3/4"	Inch	2.07	1.10	1.49	0.75	1.49
		mm	53	28	38	18	38
	2" / 1"	Inch	2.07	1.10	1.49	1.00	1.77
		mm	53	28	38	25	45

Cheng and Associates, INC.

20522 Carrey Road · Walnut · CA · 91789 · Phone: 909-839-0506 · Fax: 909-839-0516