

Liquid Filled Brass Gauges

Series "BB"

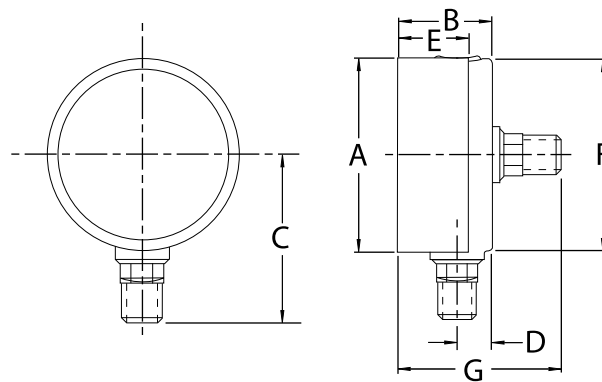


- Dial Size: 2-1/2"
- Superb Quality, Economical Price
- ISO 9002 - Certified Facility
- Pressure Range to 10,000 psi

Liquid Filled Brass Gauges

offer exceptional service in applications where strict vibration or pulsation occur. Liquid filled gauges offer a significant cushioning and dampening effect reducing pointer flutter and internal gauge damage. These gauges have an integral Bourdon tube which is soldered or brazed directly into the one-piece case/socket.

SERIES "BB" DIMENSIONS



GAUGE DIMENSIONS

Gauge Size/Type		A	B	C	D	E	F	
Lower Connection	2.5"	Inch	2.60	1.50	2.20	0.41	1.21	2.44
		mm	66	38	56	10	31	62
Gauge Size/Type		A	B	F	G			
Back Connection	2.5"	Inch	2.60	1.50	2.44	2.46		
		mm	66	38	62	62		

Cheng and Associates, INC.

20522 Carrey Road · Walnut · CA · 91789 · Phone: 909-839-0506 · Fax: 909-839-0516