

Contractor's Gauges

Series "C"

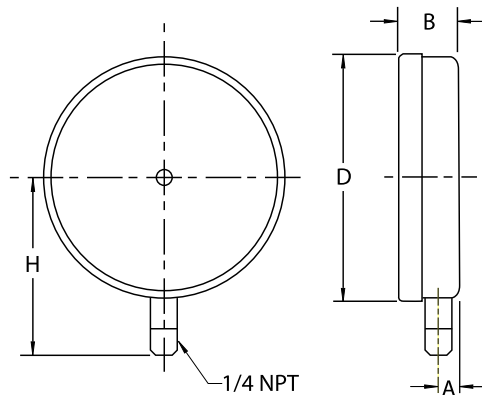


- Dial Size: 4-1/2"
- Superb Quality, Economical Price
- ISO 9002 - Certified Facility

Contractor's Gauges

are designed to meet the needs of contractors in air conditioning, heating, plumbing and refrigeration. This reliable gauge is economically priced and has many features normally found on more expensive gauges such as stainless steel case, 1% accuracy, recalibrator screw.

SERIES "C" DIMENSIONS



GAUGE DIMENSIONS

Gauge Size/Type		A	B	D	H	
Lower Connection	4.5"	Inch	0.43	1.18	4.96	3.54
		mm	11	29	121	87

Cheng and Associates, INC.

20522 Carrey Road · Walnut · CA · 91789 · Phone: 909-839-0506 · Fax: 909-839-0516