

Freon Gauges

Series "F"

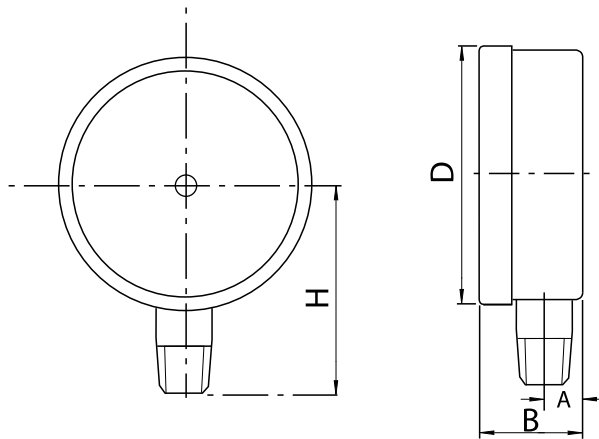


- Dial Size: 2-1/2"
- Superb Quality, Economical Price
- ISO 9002 - Certified Facility

Freon Gauges

are used in refrigeration applications for testing, servicing, and recharging. Our dials feature an R-12, R-22 and R-502, or R-304a scale. Recalibrator and restrictor are standard features.

SERIES "F" DIMENSIONS



GAUGE DIMENSIONS

Gauge Size/Type		A	B	D	H	
Lower Connection	2.5"	Inch	0.47	1.34	2.79	2.28
		mm	12	33	68	56

Cheng and Associates, INC.

20522 Carrey Road · Walnut · CA · 91789 · Phone: 909-839-0506 · Fax: 909-839-0516