

Process Gauges

Series "PS"

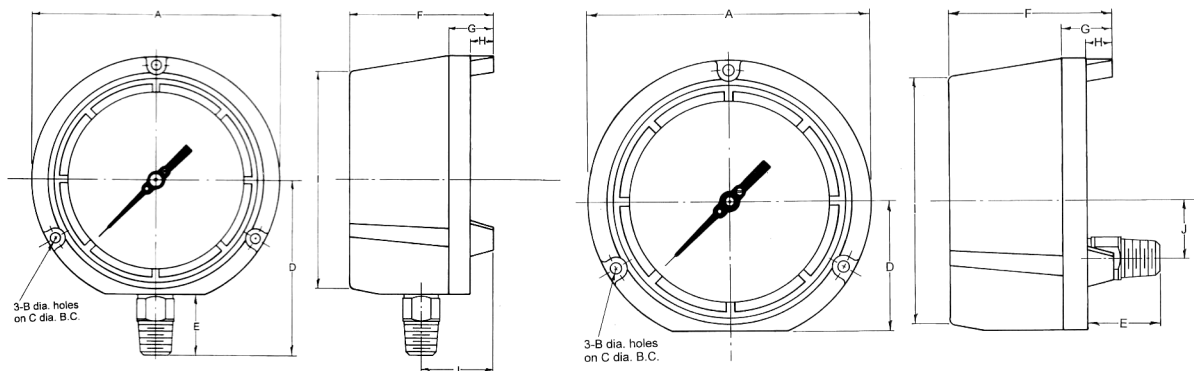


- Dial Size: 4-1/2"
- Full scale 0.5% accuracy
- Polycarbonate face

Process Gauges

are designed to perform for petrochemical and chemical processing industries. These gauges are also applied to compressors, water treatment plants, food processing plants, power generating stations and pulsating pumps. The stainless steel rotary geared movement reduces friction and corrosion which assures a smooth-moving pointer and accurate pressure indication.

SERIES "PS" DIMENSIONS



GAUGE DIMENSIONS

Type	Dial Size	A	B	C	D	E	F	G	H	I	J
Lower Connection	4.5"	148	6	137	102	38	86	26	15	129	41
Back Connection	4.5"	148	6	137	67	38	86	26	15	129	30

Cheng and Associates, INC.

20522 Carrey Road · Walnut · CA · 91789 · Phone: 909-839-0506 · Fax: 909-839-0516