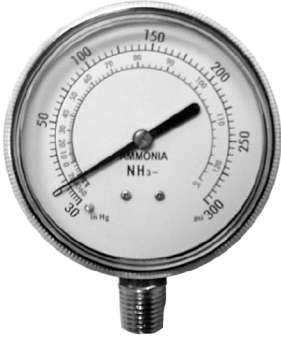


Refrigerant Ammonia Gauges Series "RA"

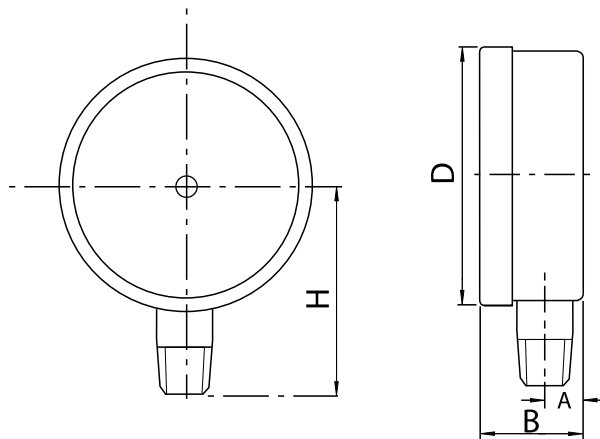


- Dial Size: 2-1/2", 3-1/2"
- Superb Quality, Economical Price
- ISO 9002 - Certified Facility

Refrigerant Ammonia Gauges

are ideally suited for refrigeration applications and are designed for use on ammonia compressors and other ammonia refrigeration equipment. Ammonia Gauges include a restrictor that protects the gauge against sudden shock or pulsating pressure. The outer dial arc shows pressure (psi/kPa) inner arc shows the corresponding temperature scale.

SERIES "RA" DIMENSIONS



GAUGE DIMENSIONS

Gauge Size/Type		A	B	D	H	
Lower Connection	2.5"	Inch	0.35	1.10	2.52	2.12
		mm	9	27	62	52
	3.5"	Inch	0.43	1.18	3.54	2.71
		mm	11	29	87	66

Cheng and Associates, INC.

20522 Carrey Road · Walnut · CA · 91789 · Phone: 909-839-0506 · Fax: 909-839-0516