

Liquid Filled Gauges

Series "SB"

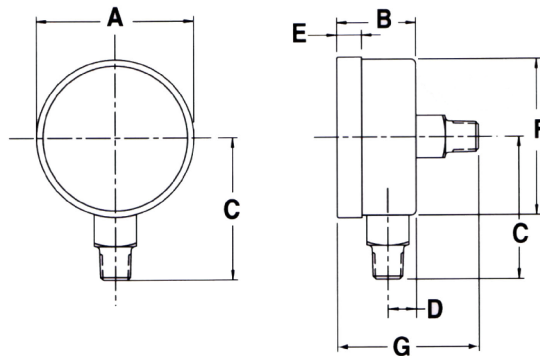


- Dial Size: 1-1/2", 2", 2-1/2" & 4"
- Superb Quality, Economical Price
- ISO 9002 - Certified Facility
- Pressure Range to 15,000 psi

Liquid Filled SS Case, Brass Internal Gauges

are designed to perform in rugged applications and harsh environmental conditions - especially where pulsation and vibration are a problem. Liquid filled gauges offer a significant cushioning and dampening effect reducing pointer flutter and internal gauge damage.

SERIES "SB" SS CASE DIMENSIONS (CRIMPED TYPE)



GAUGE DIMENSIONS

Gauge Size/Type		A	B	C	D	E	F	
Lower Connection	1.5"	Inch	1.78	1.00	1.50	0.34	1.84	
		mm	45	25	38	9	5	47
	2"	Inch	2.21	1.11	1.86	0.37	0.19	2.01
		mm	56	28	47	9	5	51
	2.5"	Inch	2.62	1.13	2.08	0.39	0.22	2.45
		mm	66	29	53	10	5	62
4"	Inch	4.29	1.42	3.14	0.46	0.29	3.88	
	mm	109	36	80	12	7	98	
Gauge Size/Type		A	B	F	G			
Back Connection	1.5"	Inch	1.78	1.00	1.61	1.62		
		mm	45	25	41	41		
	2"	Inch	2.21	1.11	2.02	2.05		
		mm	56	28	51	52		
	2.5"	Inch	2.62	1.13	2.45	2.05		
		mm	66	29	62	52		

Cheng and Associates, INC.

20522 Carrey Road · Walnut · CA · 91789 · Phone: 909-839-0506 · Fax: 909-839-0516