

# All SS Pressure Gauges Series "SD" (Dry Type)

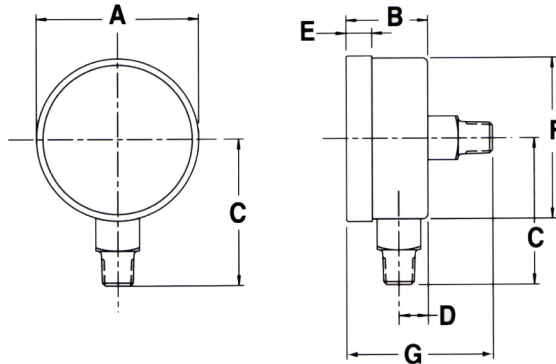


- Dial Size: 1-1/2", 2", 2-1/2", & 4"
- Superb Quality, Economical Price
- ISO 9002 - Certified Facility
- Pressure Range to 15,000 psi

## All SS Pressure Gauges

are the ultimate in corrosion resistant, heavy duty, vacuum and pressure gauges. They are used in corrosive service where ruggedness and reliability are critical. Typical applications include chemical and petroleum refineries, pharmaceutical, offshore drilling and production, paper mills, fertilizer, etc.

## SERIES "SD" DIMENSIONS



## GAUGE DIMENSIONS

Gauge Size/Type		A	B	C	D	E	F	
Lower Connection	1.5"	Inch	1.66	0.99	1.45	0.33	0.32	1.61
		mm	42	25	37	8	5	41
	2"	Inch	2.08	1.13	1.8	0.37	0.39	2.01
		mm	53	28	46	9	10	51
	2.5"	Inch	2.48	1.13	1.95	0.42	0.39	2.43
		mm	63	29	50	11	10	62
4"	Inch	3.94	1.41	3.01	0.46	0.55	3.87	
	mm	100	36	77	12	14	99	
Gauge Size/Type		A	B	E	F	G		
Back Connection	1.5"	Inch	1.66	0.99	0.31	1.61	1.56	
		mm	42	25	8	41	40	
	2"	Inch	2.08	1.13	0.39	2.01	1.85	
		mm	53	29	10	51	47	
	2.5	Inch	2.49	1.13	0.39	2.44	1.87	
		mm	63	29	10	62	47	

**Cheng and Associates, INC.**

20522 Carrey Road · Walnut · CA · 91789 · Phone: 909-839-0506 · Fax: 909-839-0516