

Water Test Gauges

Series "WG"

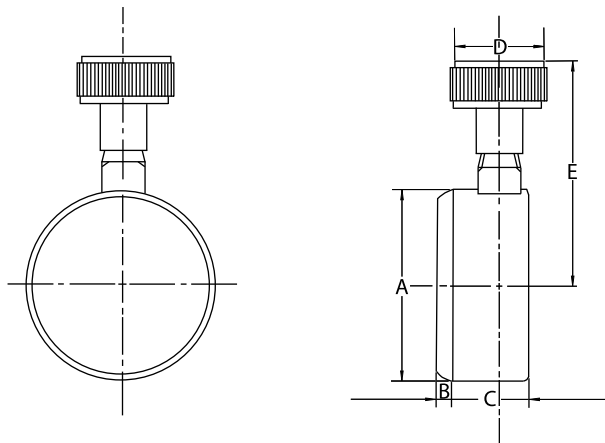


- Dial Size: 2", 2-1/2"
- Superb Quality, Economical Price
- ISO 9002 - Certified Facility

Water Test Gauges

are an economical general purpose water gauge for pressure measurements up to 300 psi. Water test gauges offer an easy reset drag pointer to register high pressure reach within a given time period. All have a top mount "reverse" dial with brass internals and fittings. Optional filter/washer is recommended for a longer life period.

SERIES "WG" DIMENSIONS



GAUGE DIMENSIONS

Gauge Size/Type		A	B	C	D	E	
Top Connection	2"	Inch	2.02	0.06	0.98	1.18	1.65
		mm	52	2	25	30	42
	2.5"	Inch	2.41	0.19	1.02	1.18	1.73
		mm	62	5	26	30	44

Cheng and Associates, INC.

20522 Carrey Road · Walnut · CA · 91789 · Phone: 909-839-0506 · Fax: 909-839-0516